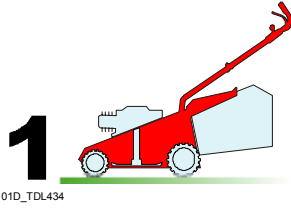


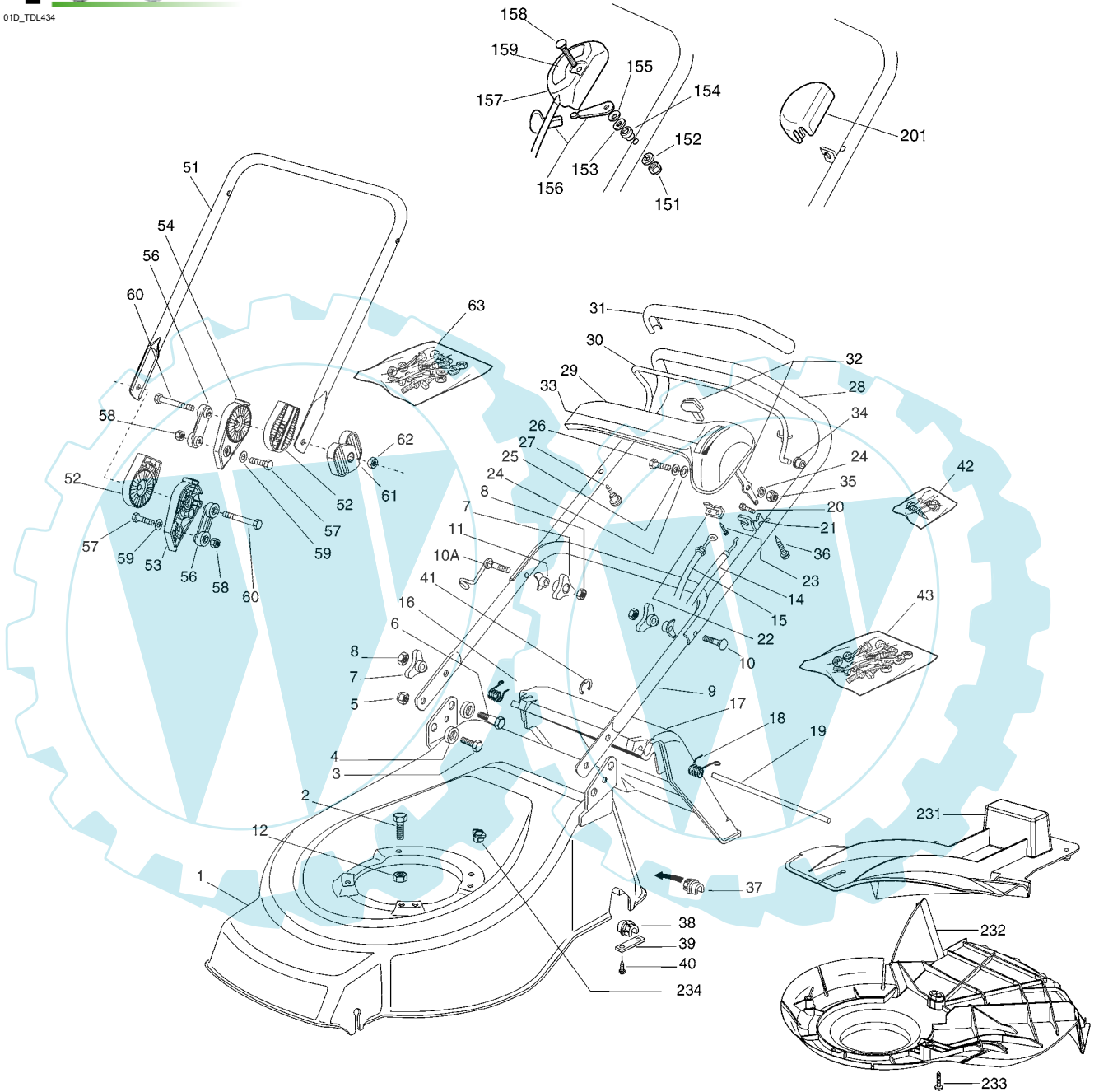
# TDL 434 - TDL 484 - TDL 534



GLOBAL GARDEN PRODUCTS



01D\_TDL434



| Pos. | Code       | Q.ty | Descrizione    | Description | Description   | Beschreibung | Remarks   |
|------|------------|------|----------------|-------------|---------------|--------------|-----------|
| 1    | 81001353/0 | 1    | CHASSIS GIALLO | DECK YELLOW | CHÂSSIS JAUNE | GEHÄUSE GELB | (TDL 434) |
| -    | 81001343/0 | 1    | CHASSIS ROSSO  | DECK RED    | CHÂSSIS ROUGE | GEHÄUSE ROT  | (TDL 434) |
| -    | 81001375/0 | 1    | CHASSIS VERDE  | DECK GREEN  | CHÂSSIS VERT  | GEHÄUSE GRÜN | (TDL 434) |
| -    | 81001355/0 | 1    | CHASSIS GIALLO | DECK YELLOW | CHÂSSIS JAUNE | GEHÄUSE GELB | (TDL 484) |
| -    | 81001344/0 | 1    | CHASSIS ROSSO  | DECK RED    | CHÂSSIS ROUGE | GEHÄUSE ROT  | (TDL 484) |
| -    | 81001377/0 | 1    | CHASSIS VERDE  | DECK GREEN  | CHÂSSIS VERT  | GEHÄUSE GRÜN | (TDL 484) |
| -    | 81001745/2 | 1    | CHASSIS GIALLO | DECK YELLOW | CHÂSSIS JAUNE | GEHÄUSE GELB | (TDL 534) |
| -    | 81001744/2 | 1    | CHASSIS ROSSO  | DECK RED    | CHÂSSIS ROUGE | GEHÄUSE ROT  | (TDL 534) |
| -    | 81001746/2 | 1    | CHASSIS VERDE  | DECK GREEN  | CHÂSSIS VERT  | GEHÄUSE GRÜN | (TDL 534) |
| 2    | 12691800/0 | 0/1  | VITE           | SCREW       | VIS           | SCHRAUBE     |           |

## TDL 434 - TDL 484 - TDL 534



75

## GLOBAL GARDEN PRODUCTS

| Pos. | Code       | Q.ty | Descrizione               | Description               | Description                  | Beshreibung          | Remarks                                    |
|------|------------|------|---------------------------|---------------------------|------------------------------|----------------------|--|
| 2    | 12793701/0 | 3/2  | VITE                      | SCREW                     | VIS                          | SCHRAUBE             |  |
| 3    | 12792610/0 | 2    | VITE                      | SCREW                     | VIS                          | SCHRAUBE             |  |
| 4    | 22041955/0 | 4    | BUSSOLA                   | BUSH                      | DOUILLE                      | BUCHSE               |  |
| 5    | 12155000/0 | 2    | DADO                      | NUT                       | ECROU                        | MUTTER               |  |
| 6    | 12793700/0 | 2    | VITE                      | SCREW                     | VIS                          | SCHRAUBE             |  |
| 7    | 22399900/0 | 4    | MANOPOLINA                | KNOB                      | POIGNÉE                      | GRIFF                |  |
| 8    | 12293200/0 | 4    | DADO                      | NUT                       | ECROU                        | MUTTER               |  |
| 9    | 81006512/0 | 1    | MANICO INFERIORE          | HANDLE, LOWER PART        | MANCHERON INFERIEURE         | HOLM, UNTERTEIL      | (TDL 434 / TDL 484)                        |
| -    | 81006990/0 | 1    | MANICO INFERIORE          | HANDLE, LOWER PART        | MANCHERON INFERIEURE         | HOLM, UNTERTEIL      | (TDL 534)                                  |
| 10   | 12819201/0 | 1    | VITE                      | SCREW                     | VIS                          | SCHRAUBE             |  |
| 10A  | 81003801/1 | 1    | MOLLA GUIDA               | GUIDE SPRING              | RESSORT DE GUIDE             | FEDER FÜHRER         |  |
| 11   | 22680006/1 | 2    | ROSETTA                   | WASHER                    | RONDELLE                     | SCHEIBE              |  |
| 12   | 12293201/0 | 3/2  | DADO                      | NUT                       | ECROU                        | MUTTER               |  |
| -    | 12155000/0 | 0/1  | DADO                      | NUT                       | ECROU                        | MUTTER               |  |
| 13   | 12792610/0 | 2    | VITE                      | SCREW                     | VIS                          | SCHRAUBE             |  |
| 14   | 81007160/0 | 1    | CAVO ACCELERATORE         | CABLE, TROTTLE            | CABLE, ACCELERATEUR          | KABEL, BESCHLEUNIGER |  |
| 15   | 81000625/0 | 1    | CAVO FRENO MOTORE         | CABLE, THREAD MOTOR BRAKE | CABLE FREIN MOTEUR           | KABEL, MOTORBREMSE   | (B&S CLASSIC/SPRINT/LS/LC TDL 484/TDL 434) |
| -    | 81000643/0 | 1    | CAVO FRENO MOTORE         | CABLE, THREAD MOTOR BRAKE | CABLE FREIN MOTEUR           | KABEL, MOTORBREMSE   | (B&S CLASSIC/SPRINT/LS/LC TDL 534)         |
| -    | 81000633/0 | 1    | CAVO FRENO MOTORE         | CABLE, THREAD MOTOR BRAKE | CABLE FREIN MOTEUR           | KABEL, MOTORBREMSE   | (B&S QUANTUM TDL 434)                      |
| -    | 81000631/0 | 1    | CAVO FRENO MOTORE         | CABLE, THREAD MOTOR BRAKE | CABLE FREIN MOTEUR           | KABEL, MOTORBREMSE   | (B&S QUANTUM/ES45 TDL 484)                 |
| -    | 81000642/0 | 1    | CAVO FRENO MOTORE         | CABLE, THREAD MOTOR BRAKE | CABLE FREIN MOTEUR           | KABEL, MOTORBREMSE   | (B&S QUANTUM/ES45 TDL 534)                 |
| -    | 81000641/0 | 1    | CAVO FRENO MOTORE         | CABLE, THREAD MOTOR BRAKE | CABLE FREIN MOTEUR           | KABEL, MOTORBREMSE   | (HONDA GCV 135/160 TDL 434/TDL 484)        |
| -    | 81000640/0 | 1    | CAVO FRENO MOTORE         | CABLE, THREAD MOTOR BRAKE | CABLE FREIN MOTEUR           | KABEL, MOTORBREMSE   | (HONDA GCV 135/160 TDL 534)                |
| -    | 81000611/0 | 1    | CAVO FRENO MOTORE         | CABLE, THREAD MOTOR BRAKE | CABLE FREIN MOTEUR           | KABEL, MOTORBREMSE   | (SUMEC)                                    |
| -    | 81000629/1 | 1    | CAVO FRENO MOTORE         | CABLE, THREAD MOTOR BRAKE | CABLE FREIN MOTEUR           | KABEL, MOTORBREMSE   | (TECUMSEH TDL 434/TDL 484)                 |
| -    | 81000644/0 | 1    | CAVO FRENO MOTORE         | CABLE, THREAD MOTOR BRAKE | CABLE FREIN MOTEUR           | KABEL, MOTORBREMSE   | (TECUMSEH TDL 534)                         |
| 16   | 22450410/1 | 1    | MOLLA DX                  | R SPRING                  | RESSORT D                    | RECHTE FEDER         |  |
| 17   | 22600046/2 | 1    | PARASASSI                 | STONE-GUARD               | PARE-PIERRES                 | PRALLBLECH           |  |
| 18   | 22450420/1 | 1    | MOLLA SX                  | L SPRING                  | RESSORT G                    | LINKE FEDER          |  |
| 19   | 22517906/1 | 1    | PERNO                     | PIN                       | PIVOT                        | BOLZEN               |  |
| 20   | 12728518/0 | 1    | VITE                      | SCREW                     | VIS                          | SCHRAUBE             |  |
| 21   | 22806612/0 | 1    | SUPPORTO                  | SUPPORT                   | SUPPORT                      | HALTER               |  |
| 22   | 22981467/0 | 1    | PIASTRINA                 | PLATE                     | PLAQUETTE                    | PLÄTTCHEN            |  |
| 23   | 12735105/0 | 2    | VITE                      | SCREW                     | VIS                          | SCHRAUBE             |  |
| 24   | 12523040/0 | 2    | ROSETTA                   | WASHER                    | RONDELLE                     | SCHEIBE              |  |
| 25   | 12530060/0 | 1    | ROSETTA ELASTICA          | SPRING WASHER             | RONDELLE ELASTIQUE           | ELASTISCHE SCHEIBE   |  |
| 26   | 12791500/0 | 1    | VITE                      | SCREW                     | VIS                          | SCHRAUBE             |  |
| 27   | 22943006/0 | 1    | VITE                      | SCREW                     | VIS                          | SCHRAUBE             |  |
| 28   | 81007018/1 | 1    | MANICO, PARTE SUP         | HANDLE, UPPER PART        | MANCHERON, PARTIE SUPERIEURE | HOLM, OBERTEIL       |  |
| 29   | 22120152/0 | 1    | CRUSCOTTO GIALLO          | DASH BOARD YELLOW         | CONSOLE JAUNE                | KONSOLE GELBE        |  |
| -    | 22120158/0 | 1    | CRUSCOTTO NERO            | DASH BOARD BLACK          | CONSOLE NOIRE                | KONSOLE SCHWARZE     |  |
| -    | 22120154/0 | 1    | CRUSCOTTO ROSSO           | DASH BOARD RED            | CONSOLE ROUGE                | KONSOLE ROTE         |  |
| 30   | 81003291/3 | 1    | LEVA FRENO MOTORE         | LEVER, MOTOR BRAKE        | LEVIER FREIN MOTEUR          | HEBEL, MOTORBREMSE   |  |
| 31   | 22291052/0 | 1    | IMPUGNATURA MANICO GIALLA | HANDGRIP YELLOW           | POIGNÉE JAUNE                | HANDGRIFF GELBER     |  |
| -    | 22291050/0 | 1    | IMPUGNATURA MANICO NERA   | HANDGRIP BLACK            | POIGNÉE NOIRE                | HANDGRIFF SCHWARZER  |  |
| -    | 22291051/0 | 1    | IMPUGNATURA MANICO ROSSA  | HANDGRIP RED              | POIGNÉE ROUGE                | HANDGRIFF RÖTER      |  |
| 32   | 81007280/2 | 1    | LEVA, ACCELERATORE        | LEVER, THROTTLE           | LEVIER, ACCELERATEUR         | HEBEL, BESHLEUNIGER  |  |
| 33   | 14356744/0 | 1    | ETICHETTA                 | LABEL                     | ETIQUETTE                    | ETIKETTE             | (B&S)                                      |
| -    | 14356743/0 | 1    | ETICHETTA                 | LABEL                     | ETIQUETTE                    | ETIKETTE             | (HONDA)                                    |

## TDL 434 - TDL 484 - TDL 534



75

## GLOBAL GARDEN PRODUCTS

| Pos. | Code       | Q.ty | Descrizione                 | Description               | Description                | Beshreibung             | Remarks    |
|------|------------|------|-----------------------------|---------------------------|----------------------------|-------------------------|------------|
| 33   | 14361129/0 | 1    | ETICHETTA                   | LABEL                     | ETIQUETTE                  | ETIKETTE                | (SUMEC)    |
| -    | 14357646/0 | 1    | ETICHETTA                   | LABEL                     | ETIQUETTE                  | ETIKETTE                | (TECUMSEH) |
| 34   | 22041966/0 | 2    | BUSSOLA                     | BUSH                      | DOUILLE                    | BUCHSE                  |            |
| 35   | 12154510/0 | 1    | DADO                        | NUT                       | ECROU                      | MUTTER                  |            |
| 36   | 12728460/0 | 1    | VITE                        | SCREW                     | VIS                        | SCHRAUBE                |            |
| 37   | 22038402/0 | 1    | BRONZINA DX                 | R BUSH                    | DOUILLE D                  | RECHTE BUCHSE           |            |
| 38   | 22038403/0 | 1    | BRONZINA SX                 | L BUSH                    | DOUILLE G                  | LINKE BUCHSE            |            |
| 39   | 22545142/0 | 2    | PIASTRINA                   | PLATE                     | PLAQUETTE                  | PLÄTTCHEN               |            |
| 40   | 12731350/0 | 4    | VITE                        | SCREW                     | VIS                        | SCHRAUBE                |            |
| 41   | 12000930/0 | 1    | ANELLO ELASTICO             | SNAP RING                 | ANNEAU RESSORT             | SPRENGRING              |            |
| 42   | 81008609/0 | 1    | DOTAZIONE VITERIA CRUSCOTTO | OUTFIT, DASH-BOARD SCREWS | DOTATION VISSERIE CONSOLLE | SATZ, KONSOLE SCHRAUBEN |            |
| 43   | 81008614/3 | 1    | DOTAZIONE VITERIA           | OUTFIT, SCREWS            | DOTATION VISSERIE          | SATZ, SCHRAUBEN         |            |

## VARIANTE REGOLAZIONE MANICO - HANDLE ADJUSTMENT MODIFICATION - MODIFICATION REGLAGE POIGNEE - ÄNDERUNG GRIFFENSTEEL

| Pos. | Code       | Q.ty | Descrizione         | Description         | Description          | Beshreibung      | Remarks |
|------|------------|------|---------------------|---------------------|----------------------|------------------|---------|
| 51   | 81006532/0 | 1    | MANICO INFERIORE    | HANDLE, LOWER PART  | MANCHERON INFERIEURE | HOLM, UNTERTEIL  |         |
| 52   | 22785081/1 | 2    | SUPPORTO ESTERNO    | SUPPORT, EXTERNAL   | SUPPORT EXTERNE      | HALTER, AUßERE   |         |
| 53   | 22785082/0 | 1    | SUPPORTO INTERNO DX | SUPPORT, R INTERNAL | SUPPORT INTERNE D    | HALTER, INNERE R |         |
| 54   | 22785083/1 | 1    | SUPPORTO INTERNO SX | SUPPORT, L INTERNAL | SUPPORT INTERNE G    | HALTER, INNERE L |         |
| 56   | 22551575/0 | 2    | PIASTRINA INTERNA   | PLATE, INSIDE       | PLAQUETTE INTERNE    | PLATTE, INNERE   |         |
| 57   | 12793701/0 | 2    | VITE                | SCREW               | VIS                  | SCHRAUBE         |         |
| 58   | 12155000/0 | 2    | DADO                | NUT                 | ECROU                | MUTTER           |         |
| 59   | 12521350/0 | 2    | ROSETTA             | WASHER              | RONDELLE             | SCHEIBE          |         |
| 60   | 12691810/0 | 2    | VITE                | SCREW               | VIS                  | SCHRAUBE         |         |
| 61   | 22399803/0 | 2    | MANOPOLINA          | KNOB                | POIGNÉE              | GRIFF            |         |
| 62   | 12293202/0 | 2    | DADO                | NUT                 | ECROU                | MUTTER           |         |
| 63   | 81008623/1 | 1    | DOTAZIONE VITERIA   | OUTFIT, SCREWS      | DOTATION VISSERIE    | SATZ, SCHRAUBEN  |         |

## VARIANTE ACCELERATORE - THROTTLE MODIFICATION - MODIFICATION COMMANDE D'ACCELERATION - ÄNDERUNGEN AUF GASHEBEL

| Pos. | Code       | Q.ty | Descrizione        | Description     | Description          | Beshreibung          | Remarks    |
|------|------------|------|--------------------|-----------------|----------------------|----------------------|------------|
| 151  | 12291000/0 | 1    | DADO               | NUT             | ECROU                | MUTTER               |            |
| 152  | 12581500/0 | 1    | GROWER             | GROWER          | GROWER               | FEDERRING            |            |
| 153  | 22171005/0 | 1    | DISTANZIALE        | SPACER          | ENTRETOISE           | DISTANZRING          |            |
| 154  | 12521360/0 | 1    | ROSETTA            | WASHER          | RONDELLE             | SCHEIBE              |            |
| 155  | 12508100/0 | 1    | ROSETTA ELASTICA   | SPRING WASHER   | RONDELLE ELASTIQUE   | ELASTISCHE SCHEIBE   |            |
| 156  | 81007279/1 | 1    | LEVA, ACCELERATORE | LEVER, THROTTLE | LEVIER, ACCELERATEUR | HEBEL, BESHLEUNIGER  |            |
| 157  | 81007080/0 | 1    | CAVO ACCELERATORE  | CABLE, TROTTLE  | CABLE, ACCELERATEUR  | KABLE, BESCHLEUNIGER |            |
| 158  | 12815000/0 | 1    | VITE               | SCREW           | VIS                  | SCHRAUBE             |            |
| 159  | 14356703/0 | 1    | ETICHETTA          | LABEL           | ETIQUETTE            | ETIKETTE             | (B&S)      |
| -    | 14356702/0 | 1    | ETICHETTA          | LABEL           | ETIQUETTE            | ETIKETTE             | (HONDA)    |
| -    | 14360197/0 | 1    | ETICHETTA          | LABEL           | ETIQUETTE            | ETIKETTE             | (SUMEC)    |
| -    | 14356905/0 | 1    | ETICHETTA          | LABEL           | ETIQUETTE            | ETIKETTE             | (TECUMSEH) |

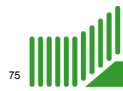
## VARIANTE REGIME FISSO - FIXED SPEED MODIFICATION - MODIFICATION POUR MODÈLE À REGIME FIXE - ÄNDERUNGEN FÜR MODELLE MIT FESTEN DRENZAHL

| Pos. | Code       | Q.ty | Descrizione | Description | Description | Beshreibung | Remarks |
|------|------------|------|-------------|-------------|-------------|-------------|---------|
| 201  | 22601000/0 | 1    | PROTEZIONE  | PROTECTION  | PROTECTION  | SCHUTZ      |         |

## VARIANTE MULCHING - MULCHING MODIFICATION - MODIFICATION MULCHING - ÄNDERUNGEN MULCHING

| Pos. | Code       | Q.ty | Descrizione      | Description   | Description          | Beshreibung   | Remarks   |
|------|------------|------|------------------|---------------|----------------------|---------------|-----------|
| 231  | 22140222/0 | 1    | DEFLETTORE       | DEFLECTOR     | DEFLECTEUR           | DEFLEKTOR     | (TDL 534) |
| 232  | 22060197/1 | 1    | CARTER           | PROTECTION    | PROTECTION           | SCHUTZ        | (TDL 534) |
| 233  | 12728530/0 | 3    | VITE             | SCREW         | VIS                  | SCHRAUBE      | (TDL 534) |
| 234  | 22291150/0 | 1    | INSERTO IN GOMMA | RUBBER INSERT | INSERT DE GAOUTCHOUC | GUMMI EINSATZ | (TDL 534) |

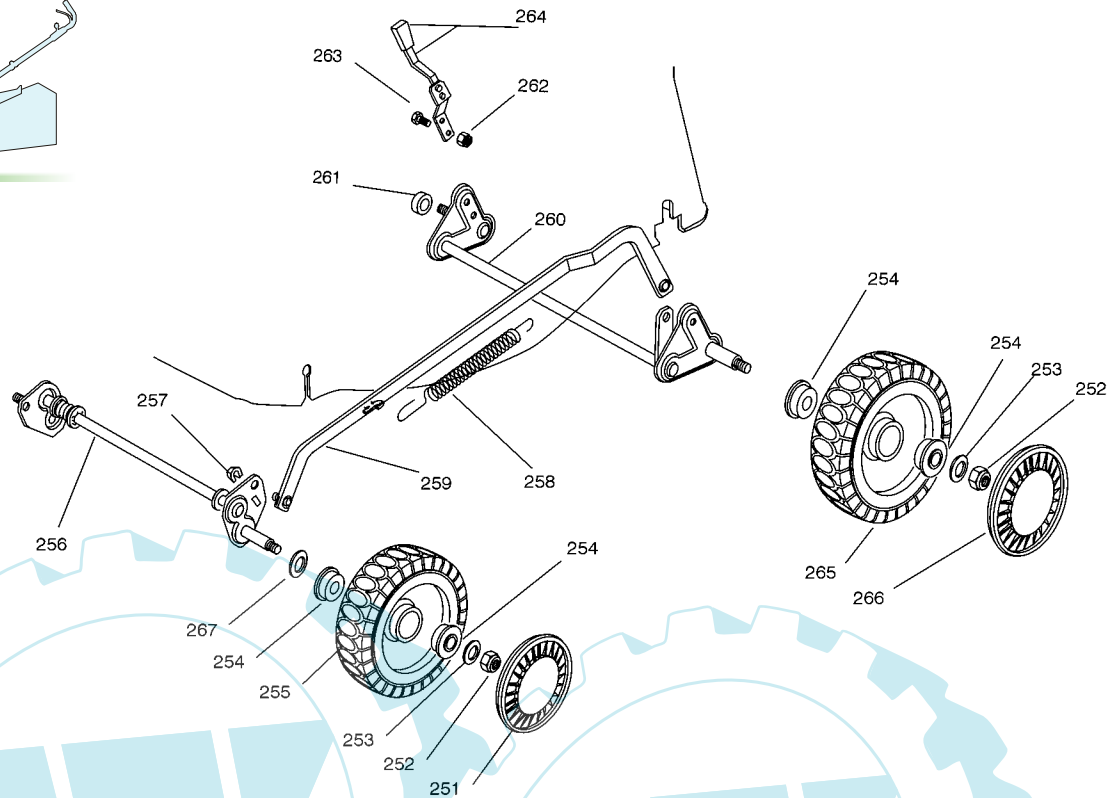
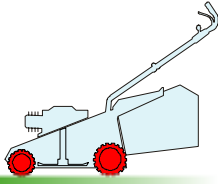
## TDL 434 - TDL 484 - TDL 534



GLOBAL GARDEN PRODUCTS

2

02D\_012



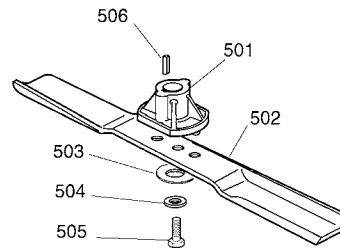
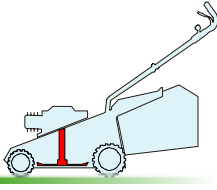
| Pos. | Code       | Q.ty | Descrizione                 | Description                    | Description                   | Beschreibung            | Remarks   |
|------|------------|------|-----------------------------|--------------------------------|-------------------------------|-------------------------|-----------|
| 251  | 22110282/0 | 2    | COPRIMOZZO BIANCO           | HUB CAP WHITE                  | COUVRE-MOYEU BLANC            | RADKAPPE WEIßE          |           |
| -    | 22110288/0 | 2    | COPRIMOZZO GIALLO           | HUB CAP YELLOW                 | COUVRE-MOYEU JAUNE            | RADKAPPE GELBE          |           |
| -    | 22110290/0 | 2    | COPRIMOZZO ROSSO            | HUB CAP RED                    | COUVRE-MOYEU ROUGE            | RADKAPPE ROTE           |           |
| 252  | 12155000/0 | 4    | DADO                        | NUT                            | ECROU                         | MUTTER                  |           |
| 253  | 12521350/0 | 4    | ROSETTA                     | WASHER                         | RONDELLE                      | SCHEIBE                 |           |
| 254  | 22122200/0 | 8    | CUSCINETTO                  | BEARING                        | COUSSINET                     | LAGER                   |           |
| 255  | 81007336/0 | 2    | RUOTA SCOLPITA Ø 170        | WHEEL, KNOBBLY Ø 170           | ROUE SCULPTEE Ø 170           | RAD M. STOLLENPR. Ø 170 |           |
| 256  | 81001272/1 | 1    | ASSE RUOTE ANTERIORE        | AXLE, FRONT WHEELS             | AXE ROUES AVANT               | ACHSE, VORDERRAD        | (TDL 434) |
| -    | 81001274/1 | 1    | ASSE RUOTE ANTERIORE        | AXLE, FRONT WHEELS             | AXE ROUES AVANT               | ACHSE, VORDERRAD        | (TDL 484) |
| -    | 81001223/1 | 1    | ASSE RUOTE ANTERIORE        | AXLE, FRONT WHEELS             | AXE ROUES AVANT               | ACHSE, VORDERRAD        | (TDL 534) |
| 257  | 12436050/0 | 2    | PIASTRINA                   | PLATE                          | PLAQUETTE                     | PLÄTTCHEN               |           |
| 258  | 22446180/0 | 1    | MOLLA                       | SPRING                         | RESSORT                       | FEDER                   |           |
| 259  | 81001275/0 | 1    | ASTA COMANDO REGOL. ALTEZZA | ROD, HEIGHT ADJUSTMENT CONTROL | TIGE COMMANDE REGLAGE HAUTEUR | STANGE, HÖHEVERSTELLUNG | (TDL 434) |
| -    | 81001276/0 | 1    | ASTA COMANDO REGOL. ALTEZZA | ROD, HEIGHT ADJUSTMENT CONTROL | TIGE COMMANDE REGLAGE HAUTEUR | STANGE, HÖHEVERSTELLUNG | (TDL 484) |
| -    | 81001264/0 | 1    | ASTA COMANDO REGOL. ALTEZZA | ROD, HEIGHT ADJUSTMENT CONTROL | TIGE COMMANDE REGLAGE HAUTEUR | STANGE, HÖHEVERSTELLUNG | (TDL 534) |
| 260  | 81001278/0 | 1    | ASSE RUOTE POSTERIORE       | AXLE, REAR WHEELS              | AXE ROUES ARRIERE             | ACHSE, HINTERRAD        |           |
| 261  | 22170800/0 | 1    | DISTANZIALE                 | SPACER                         | ENTRETOISE                    | DISTANZRING             |           |
| 262  | 12154330/0 | 2    | DADO                        | NUT                            | ECROU                         | MUTTER                  |           |
| 263  | 12789000/0 | 2    | VITE                        | SCREW                          | VIS                           | SCHRAUBE                |           |
| 264  | 81003283/1 | 1    | LEVA REGOLAZIONE ALTEZZA    | LEVER, HEIGHT ADJUSTMENT       | LEVIER REGLAGE HAUTEUR        | HEBEL, HÖHEVERSTELLUNG  |           |
| 265  | 81007337/0 | 2    | RUOTA SCOLPITA Ø 210        | WHEEL, KNOBBLY Ø 210           | ROUE SCULPTEE Ø 210           | RAD M. STOLLENPR. Ø 210 |           |
| 266  | 22110281/0 | 2    | COPRIMOZZO BIANCO           | HUB CAP WHITE                  | COUVRE-MOYEU BLANC            | RADKAPPE WEIßE          |           |
| -    | 22110287/0 | 2    | COPRIMOZZO GIALLO           | HUB CAP YELLOW                 | COUVRE-MOYEU JAUNE            | RADKAPPE GELBE          |           |
| -    | 22110289/0 | 2    | COPRIMOZZO ROSSO            | HUB CAP RED                    | COUVRE-MOYEU ROUGE            | RADKAPPE ROTE           |           |
| 267  | 12530150/0 | 4    | ROSETTA ELASTICA            | SPRING WASHER                  | RONDELLE ELASTIQUE            | ELASTISCHE SCHEIBE      |           |

## TDL 434 - TDL 484 - TDL 534



5

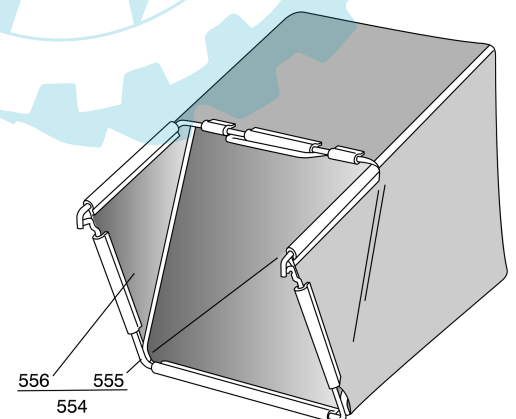
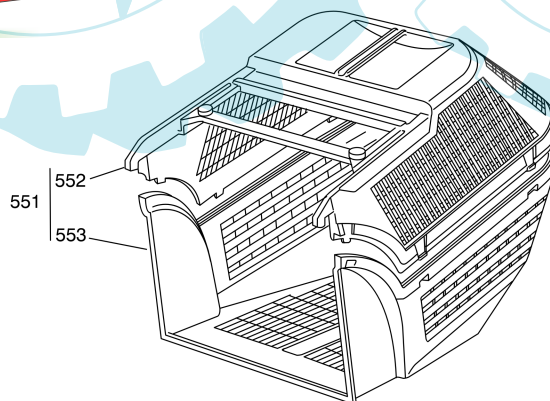
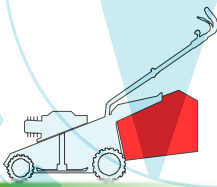
05D\_002



| Pos. | Code       | Q.ty | Descrizione       | Description    | Description      | Beshreibung     | Remarks |
|------|------------|------|-------------------|----------------|------------------|-----------------|---------|
| 501  | 22463012/1 | 1    | MOZZO             | HUB            | MOYEU            | HALTER          |         |
| 502  | 81004396/0 | 1    | COLTELLO ALETTATO | BLADE WINGED   | LAME AILETTÉE    | MESSER FLÜGEL   | (41 cm) |
| -    | 81004341/3 | 1    | COLTELLO STANDARD | BLADE STANDARD | LAME STANDARD    | MESSER STANDARD | (41 cm) |
| -    | 81004397/0 | 1    | COLTELLO ALETTATO | BLADE WINGED   | LAME AILETTÉE    | MESSER FLÜGEL   | (46 cm) |
| -    | 81004346/3 | 1    | COLTELLO STANDARD | BLADE STANDARD | LAME STANDARD    | MESSER STANDARD | (46 cm) |
| -    | 81004398/0 | 1    | COLTELLO ALETTATO | BLADE WINGED   | LAME AILETTÉE    | MESSER FLÜGEL   | (51 cm) |
| -    | 81004381/1 | 1    | COLTELLO STANDARD | BLADE STANDARD | LAME STANDARD    | MESSER STANDARD | (51 cm) |
| 503  | 22160400/0 | 1    | DISCO ELASTICO    | ELASTIC WASHER | DISQUE ELASTIQUE | FEDERSCHEIBE    |         |
| 504  | 12523080/0 | 1    | ROSETTA           | WASHER         | RONDELLE         | SCHEIBE         |         |
| 505  | 12735698/0 | 1    | VITE              | SCREW          | VIS              | SCHRAUBE        |         |
| 506  | 12139100/0 | 1    | LINGUETTA         | FEATHER        | CLAVETTE         | KEIL            |         |

6

06D\_002



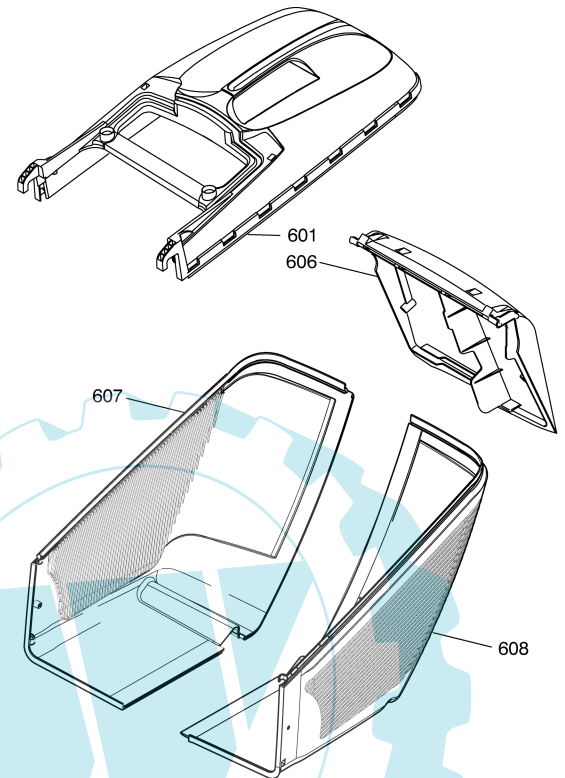
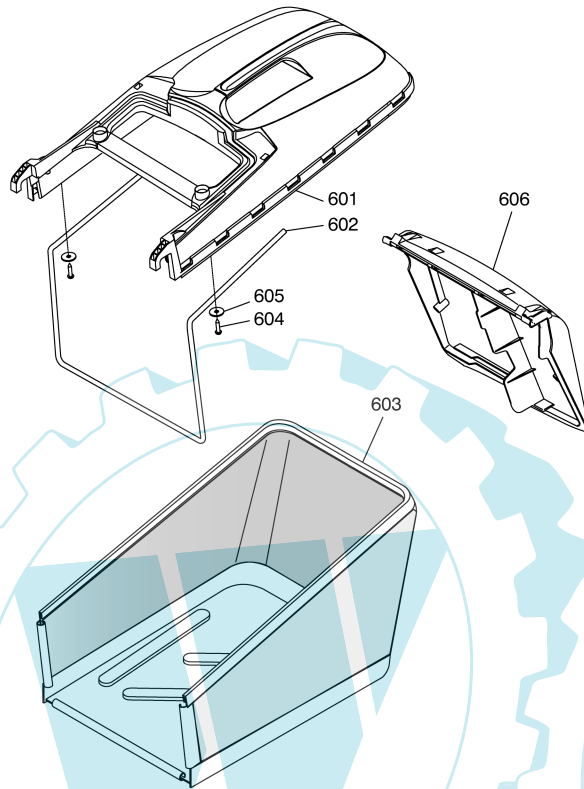
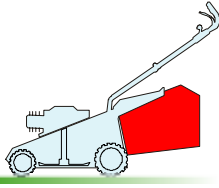
| Pos. | Code       | Q.ty | Descrizione             | Description                    | Description            | Beshreibung     | Remarks |
|------|------------|------|-------------------------|--------------------------------|------------------------|-----------------|---------|
| 551  | 94004000/0 | 1    | SACCO COMPLETO          | GRASS-BOX, COMPLETE            | BAC COMPLET            | KORB, KOMPLETTE |         |
| 552  | 22486073/1 | 1    | SACCO, PARTE SUP        | GRASS-BOX, UPPER PART          | SAC, PARTIE SUPERIEURE | KORB, OBERTEIL  |         |
| 553  | 22486074/0 | 1    | SACCO PARTE INF         | GRASS-BOX, LOWER PART          | SAC, PARTIE INFERIEURE | KORB, UNTERTEIL |         |
| 554  | 94005000/0 | 1    | SACCO IN TELA, COMPLETO | GRASSCATCHER, CANVASS COMPLETE | SAC EN TOILE, COMPLETE | SACK, KOMPLETTE |         |
| 555  | 81006418/0 | 1    | TELAIO SACCO            | CHASSIS BOX                    | CHÂSSIS BAC            | RAHMEN SACK     |         |
| 556  | 81002105/2 | 1    | SACCO, TELA             | BOX, FABRIC                    | SAC, TOILE             | SACK, TUCK      |         |



GLOBAL GARDEN PRODUCTS

6

06D\_008



| Pos. | Code       | Q.ty | Descrizione      | Description           | Description            | Beshreibung        | Remarks |
|------|------------|------|------------------|-----------------------|------------------------|--------------------|---------|
| 601  | 22486101/0 | 1    | SACCO, PARTE SUP | GRASS-BOX, UPPER PART | SAC, PARTIE SUPERIEURE | KORB, OBERTEIL     |         |
| 602  | 22608525/0 | 1    | RINFORZO INF     | STIFFENING LOWER      | RÉNFORCEMENT INF       | VERSTÄRKUNG UNTERE |         |
| 603  | 81002211/0 | 1    | SACCO, TELA      | BOX, FABRIC           | SAC, TOILE             | SACK, TUCK         |         |
| 604  | 12728680/0 | 2    | VITE             | SCREW                 | VIS                    | SCHRAUBE           |         |
| 605  | 12523050/0 | 2    | ROSETTA          | WASHER                | RONDELLE               | SCHEIBE            |         |
| 606  | 22600063/1 | 1    | PARASASSI        | STONE-GUARD           | PARE-PIERRES           | PRALLBLECH         |         |
| 607  | 22486150/0 | 1    | SACCO PARTE INF  | GRASS-BOX, LOWER PART | SAC, PARTIE INFERIEURE | KORB, UNTERTEIL    | (DX)    |
| 608  | 22486151/0 | 1    | SACCO PARTE INF  | GRASS-BOX, LOWER PART | SAC, PARTIE INFERIEURE | KORB, UNTERTEIL    | (SX)    |